



LEFROY BROOKS

IBROC HOUSE ESSEX ROAD
HODDESDON HERTS EN11 0QS UK
T: +44 (0)1992 708 316 F: +44 (0)1992 708 317

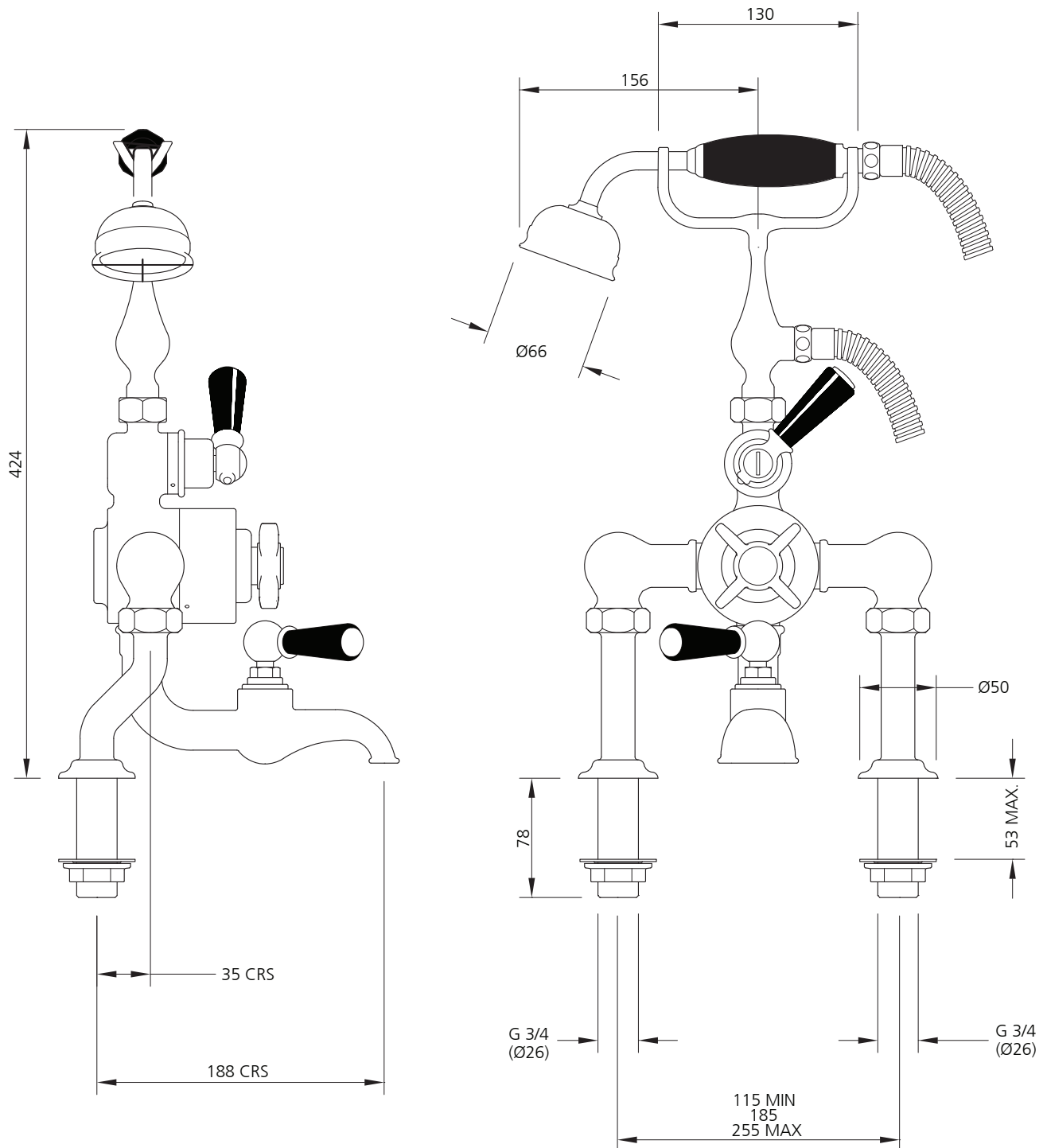
BL-8823

EXPOSED BLACK LEVER THERMOSTATIC BATH AND SHOWER
VALVE WITH CRADLE AND CLASSIC HANDSET
(AVAILABLE WALL OR DECK MOUNTED)

DIMENSIONAL DATA SHEET

DATE: 20 May 2010

ISSUE: 020 B



©COPYRIGHT 2010. CHRISTO LEFROY BROOKS. ALL RIGHTS RESERVED.

DIMENSIONS IN MILLIMETRES

WHILST EVERY EFFORT IS MADE TO ENSURE THE ACCURACY OF THESE DATA SHEETS THEY ARE SUBJECT TO CHANGE WITHOUT NOTICE AS PART OF THE COMPANY'S PRODUCT DEVELOPMENT PROCESS